

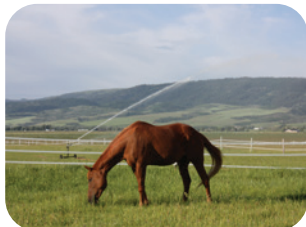
1500H Complete Irrigation Pump Kit



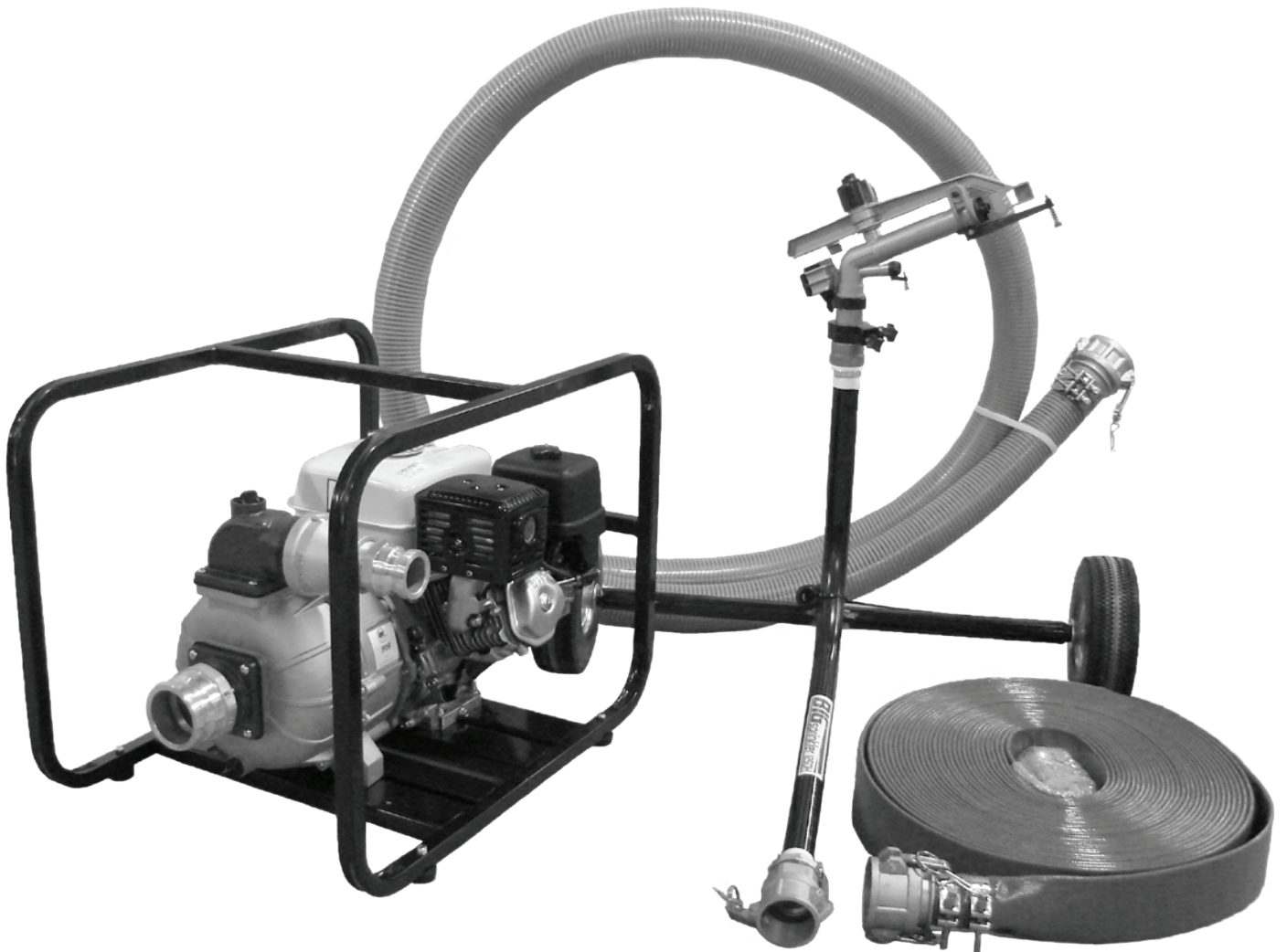
Thank you for purchasing a new BigSprinkler irrigation kit. This kit is a quick and easy solution for irrigating larger areas such as gardens, yards, playgrounds, sports fields, horse arenas, acreages, and much more!

The following manual is a guide for assembly, setup, and operation of your new BigSprinkler cart and pump. Please read and follow all instructions carefully.

BIG sprinklercarts



Kit Contents



1 - 9 HP Honda High Pressure Pump

1 - 1250H Wheeled Sprinkler Irrigation Cart

1 - 100 Ft. Discharge Hose (red)

**1 - 15 Ft. Suction Hose Assembly w/ Screen
(Clear w/ Grey Helix)**

Cart Assembly Instructions

Please read this manual carefully and follow all safety and assembly instructions below to ensure that your cart is assembled correctly and operates properly upon start-up. If you have any questions please call 405-354-6925.



Safety



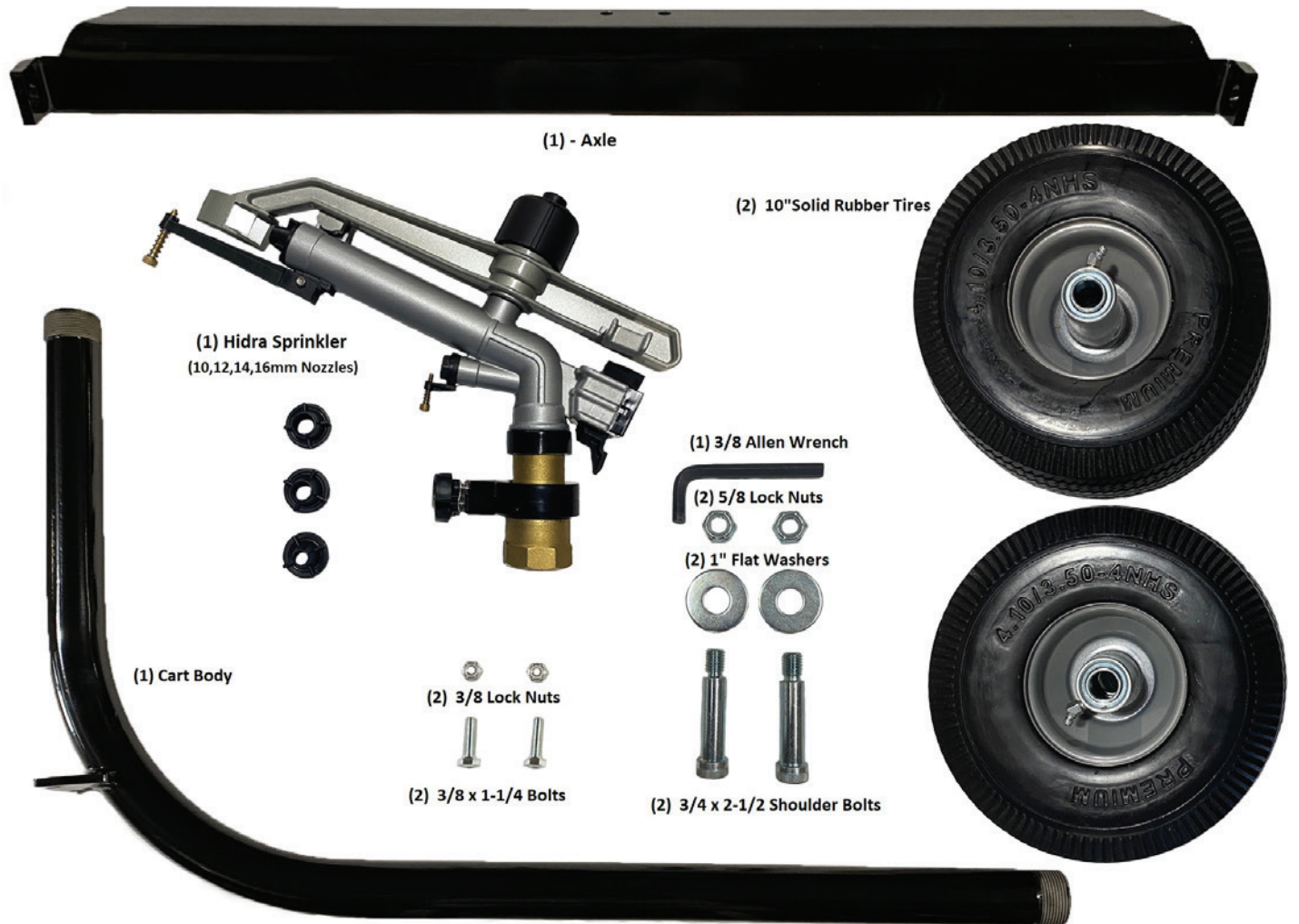
Safety is the main priority and failure to follow these instructions may cause serious injury. BigSprinkler.com is not responsible for product failure, property damage, or personal injury if these procedures and operation instructions are not followed.

- Beware of electric power lines

Irrigation water should never contact electric power lines or any other power source. Never let any part of the sprinkler cart or any irrigation fittings or pipe come in contact with an electric power source.

- Use caution up close to operating sprinkler heads

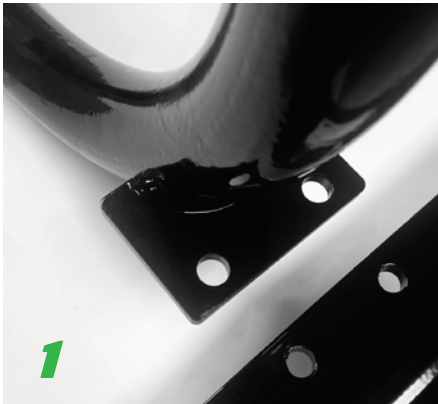
Pressurized water from the sprinkler head could cause serious damage to people or objects. Never allow small children to play close to operating sprinkler heads!



Cart Assembly Instructions

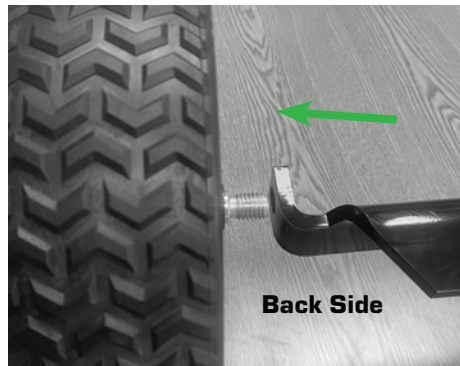
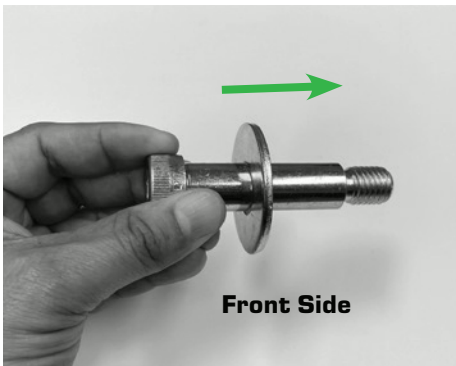
STEP 1) BODY & AXLE ASSEMBLY

Unpack contents from box. The sprinkler cart is shipped with four main components: axle assembly, wheels, cart body, and sprinkler head. First, assemble axle assembly to main body (left image) with the two 3/8" bolts and locking nuts included in package. Use a standard 9/16" socket and open-end wrench to tighten bolts and secure axle assembly to main cart body. **NOTE:** Cart body mount plate should be mounted on top of axle mount plate for proper cart angle.



STEP 2) MOUNTING WHEELS ONTO THE AXLE

Next, mount wheels to cart axle by sliding the 2-1/2" bolt through the wheel and hole at the end of each axle. Using the provided 3/8" allen wrench and a 15/16" wrench or socket to hold the locknut side to tighten wheels onto each side. Note: Tighten the locknut until it stops turning.

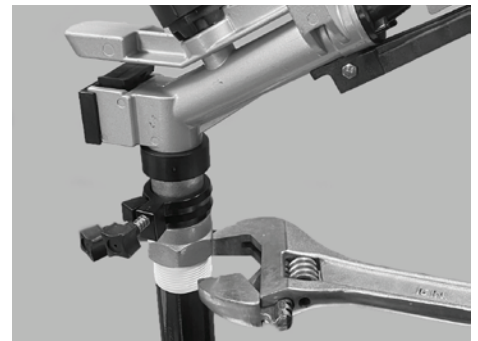


Cart Assembly Instructions

STEP 3) INSTALLING THE IMPACT SPRINKLER HEAD

First, remove the thread protector cap to expose the taped threads, do not remove white thread tape. Place the bottom of the sprinkler on top of the threads and slowly turn clockwise. **NOTE:** Make sure to begin slowly so that the threads start correctly. If they are cross threaded, it will result with the threads being damaged on both the cart and sprinkler.

Secure sprinkler head by tightening with a large enough crescent wrench or pipe wrench. **CAUTION:** Only tighten sprinkler head by placing wrench on the lower base area of the sprinkler head to avoid damage to the upper portion of the sprinkler.



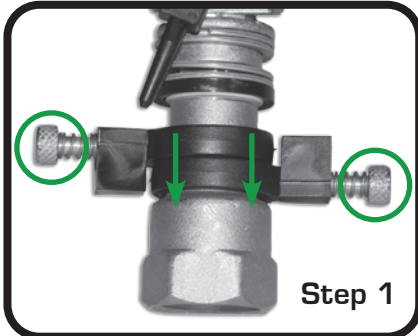
STEP 4) Position sprinkler cart in area to be watered and attach cart to your hose. Your sprinkler cart is now ready for operation. **NOTE:** Always run water through your hoses to flush them out before hooking it up to your sprinkler cart. Doing so will prevent anything from clogging the sprinkler when running.

To make adjustments to the impact sprinkler please refer to the "Impact Sprinkler Adjustment" page.

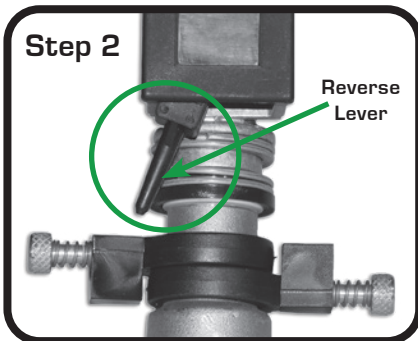


Sprinkler Head Settings

The sprinkler head supplied with your cart is a fully adjustable sprinkler that will operate in a full circle pattern or any part of a circle by adjusting the stops at the base of the sprinkler. Refer to the instructions below to set sprinkler head to the desired operating pattern.

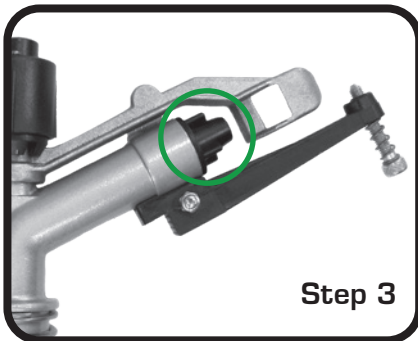


Step 1) For full circle operation, loosen sprinkler stop, set screws as shown, and slide stops all the way down the brass sprinkler base so they do not contact the reverse lever on the back of the sprinkler head. Re-tighten set screws to hold the stops in place. This will allow the sprinkler head to operate in a full circle mode.



Step 2) IMPORTANT: REVERSE VS. FORWARD MODE

If you set the sprinkler head for full circle operation, the reverse lever will either stay to the right or left for reverse or forward mode. Typically when using the sprinkler in full circle operation, you will want the sprinkler to be set in forward mode or a clockwise operating direction. For this to occur, you want the reverse lever at the back of the sprinkler to be over to the left as shown. If the lever is set to the right, the sprinkler will be in reverse mode. In reverse mode, the sprinkler will operate rapidly in a counterclockwise direction and your distance of throw will be less than it would be in forward mode.



Step 3) Nozzles Supplied: Your sprinkler head is supplied with a set of nozzles that are interchangeable to meet your water source's capability. It is shipped with the smallest nozzle installed. If your water system operates the small nozzle adequately then, you may move up to a larger nozzle size for increased performance. The nozzle sizes listed on your supplied performance charts have gallons per minute output that tally at various pressures and wetted patterns that correspond. This may be a trial and error exercise to determine which nozzle size gives you the best desired performance when matched to your water source's capability. You may feel more comfortable consulting your servicing well dealer for help with your system's capability if desired performance is not being met.

It may also be necessary to purchase a booster pump from our pump section of BigSprinkler.com if pressure boosting is needed.

Accessories



Hose



Fittings



Supply Pumps



Booster Pumps

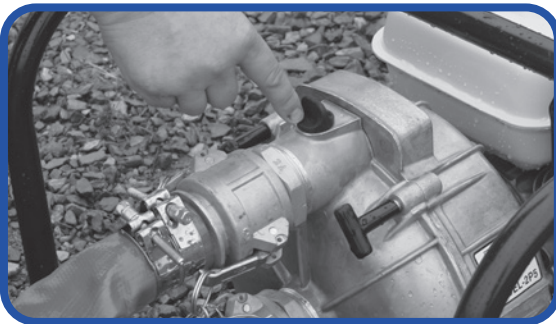
Pump Start-Up Instructions



Make sure pump is sitting level and within 5 to 10 feet (vertically) of the top of the water surface.

Step 1) After contents of kit have been unpacked and assembled, unroll red discharge hose that has been supplied with your kit and make sure there are no twists in the hose and that it is laying flat on the ground. Connect the female end of the discharge hose to the pump discharge port and connect the opposite end to the sprinkler cart.

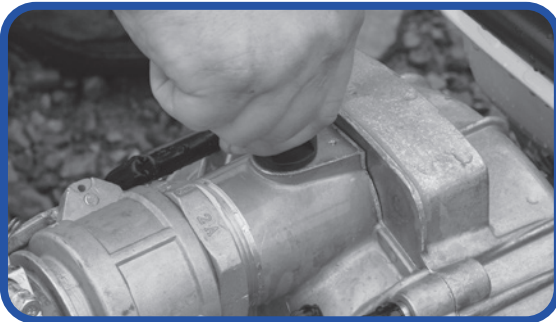
Step 2) Place the suction hose assembly screen end into the water. **NOTE: Suction screen needs to be in at least 12 inches of water to operate properly and not loose prime.** Connect the female end of the suction hose to the suction port on the pump.



Step 3) Open the fill plug on top of the pump chamber.



Step 4) With a cup, fill the pump case full of water and re-attach fill plug on top of pump chamber as shown.



Step 5) Close fill plug on top of pump chamber



Step 6) Start Honda engine and within a few seconds, pump will self-prime and begin pumping water. Discharge hoses will pressure up and begin sprinkler operation. **Note: Refer to manual supplied with pump for engine starting instructions.**

Sprinkler Cart Charts



1500H Sprinkler Cart Performance Chart

Nozzle Size	PSI	GPM	Jet Length/Feet (One Direction)	Wetted Circle (Diameter/Feet)
12 mm (0.47") w/ 5 mm (0.19") Diffuser Nozzle	29	40	65	130
	44	48	78	156
	58	56	88	176
	73	62	98	196
14 mm (0.55") w/ 5 mm (0.19") Diffuser Nozzle	29	52	69	138
	44	63	82	164
	58	73	95	190
	73	81	101	202
16 mm (0.63") w/ 5 mm (0.19") Diffuser Nozzle	29	65	72	144
	44	80	85	170
	58	93	98	196
	73	103	108	216
18 mm (0.70") w/ 5 mm (0.19") Diffuser Nozzle	44	100	92	184
	58	115	101	202
	73	128	112	224

Notice: These specifications are to be used as a guide only and have been calculated at zero wind conditions. Performances can vary due to pressure, terrain, wind, and field conditions.



3" High Pressure 9 HP Self-Priming Irrigation Pump Performance Chart

PSI	88	86	82	74	67	56	40	22
GPM	10	25	50	75	100	125	150	180

Notice: These specifications are to be used as a guide only and have been calculated at zero wind conditions. Performances can vary due to pressure, terrain, wind, and field conditions.

Warranty

LIMITED WARRANTY AND REMEDY:

WARRANTY

BigSprinkler warrants to the original purchaser only of the products described in the face hereof as of the date of the original invoice, that the product is merchantable and free from defects in material and workmanship.

Warranty shall be provided by the original manufacturer of products sold on BigSprinkler for the length of time specified by the manufacturer of the given product.

Sprinkler Stands - 1 year

Pump Wet Ends - 1 year

Honda Engines - 3 year (through authorized Honda service center)

Sprinkler Heads - 1 year

REMEDY

If BigSprinkler.com determines that the above warranty was breached with respect to any part or component provided by the manufacturer of the product (and if all conditions set forth below have been satisfied) then, BigSprinkler.com will (at BigSprinkler.com's option) provide purchaser a refund of the purchase price less the freight costs to or from the customer, or provide a replacement product of the same kind.

All remedies provided herein are for goods only, no labor or freight allowance for return goods is implied.

This warranty extends only to the original purchaser of products purchased from BigSprinkler.com.

CONDITIONS TO ENFORCEABILITY AND CLAIMS:

1. Product has been maintained and operated within the guidelines outlined in the manufacturer's product guide and maintenance manual.
2. Product warranty shall be considered void if any component or function of the equipment has been altered in any form other than what has been provided or intended by the original product manufacturer.
3. Any return must be submitted on form provided by BigSprinkler.com in writing immediately and in no event longer than 20 days from occurrence. You can reach our sales department through the "contact us" form on our website should such an event occur.
4. Purchaser must return all goods within 30 days of BigSprinkler.com's authorization date, that have been determined by BigSprinkler.com to be defective to the Purchaser with Purchaser being responsible for freight.

LIMITATIONS:

BigSprinkler.com or its affiliates shall not be liable for any incidental or consequential damages (including but not limited to, damages for injury to the person, property or lost turf, crops or profits) by reason of any defect in the products sold or its manufacture, design, or function.