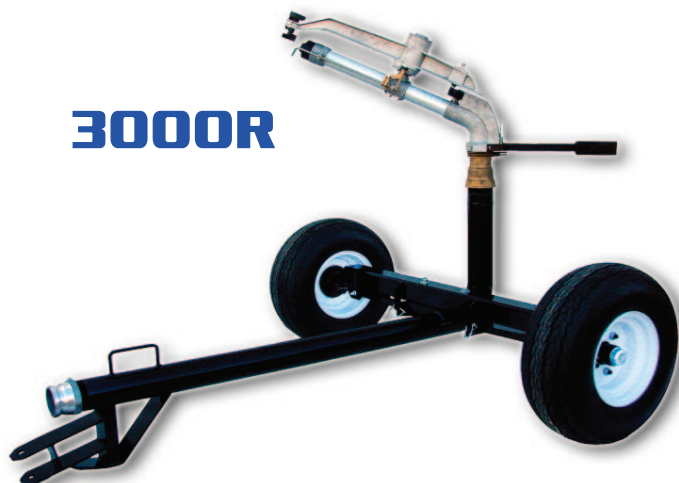


2000 & 3000 Series Sprinkler Carts



2000S



3000R

Thank you for purchasing a wheeled sprinkler cart from BigSprinkler.com. These carts are a quick and affordable solution for irrigating larger areas such as gardens, yards, playgrounds, sports fields, horse riding arenas, acreages, and much more!

The following manual is a guide for assembly, setup, and operation of your new BigSprinkler cart. Please read and follow all instructions carefully.

We also offer accessories such as pre-made hose kits with quick connects for easy hook-up and booster pumps that will greatly enhance pressure and performance for your sprinkler cart. For information on our automatic traveling irrigation systems, visit www.microrain.net.



Cart Assembly Instructions

Please read this manual carefully and follow all safety and assembly instructions below to ensure that your cart is assembled correctly and operates properly upon start-up. If you have any questions please call 805-855-7901.



Safety



Safety is the main priority and failure to follow these instructions may cause serious injury. BigSprinkler.com is not responsible for product failure, property damage, or personal injury if these procedures and operation instructions are not followed.

- **Beware of electric power lines**

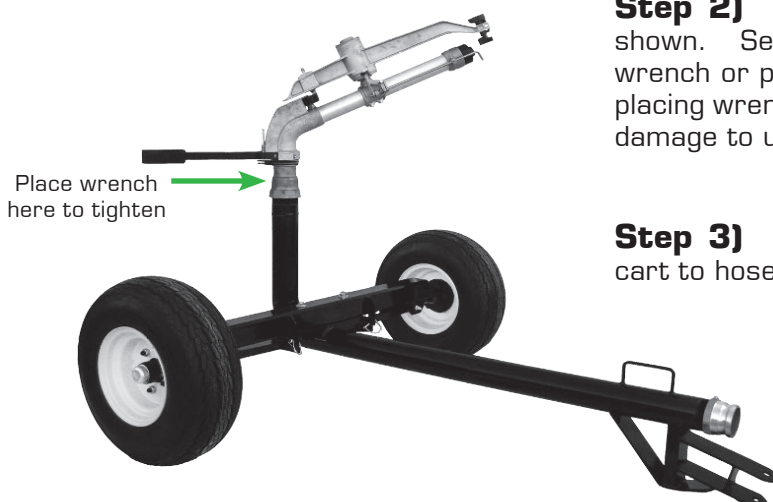
Irrigation water should never contact electric power lines or any other power source. Never let any part of the sprinkler cart or any irrigation fittings or pipe come in contact with an electric power source.

- **Use caution up close to operating sprinkler heads**

Pressurized water from the sprinkler head could cause serious damage to people or objects. Never allow small children to play close to operating sprinkler heads!



Step 1) The sprinkler cart is shipped with three main components: axle assembly with wheels, cart body, and sprinkler head. First, assemble axle assembly to main body (left image) with the two bolts and locking nuts included in axle assembly. These are shipped installed in the axle assembly. Remove the bolts and attach the sprinkler body as shown in the large circle at the left. **NOTE: Cart body mount plate should be mounted underneath the axle for proper cart angle.** Notice the sloped side of the axle ends should be facing upward. This is shown in the small circle in the image to the left.

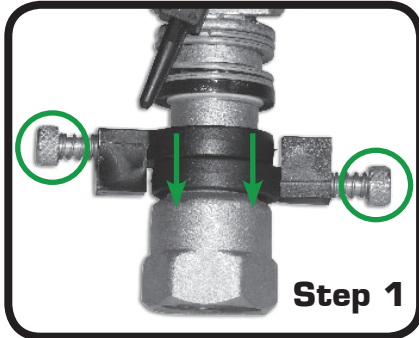


Step 2) Attach sprinkler head to the cart body (left image) as shown. Secure sprinkler head by tightening with an open end wrench or pipe wrench. **CAUTION:** Only tighten sprinkler head by placing wrench on the lower base area of the sprinkler head to avoid damage to upper portion of the sprinkler.

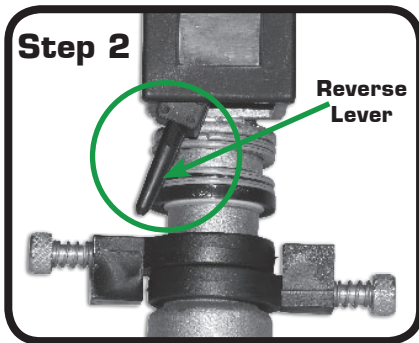
Step 3) Position sprinkler cart in area to be watered. Attach cart to hose. Sprinkler cart is ready for operation.

Sprinkler Head Settings

The sprinkler head supplied with your cart is a fully adjustable sprinkler that will operate in a full circle pattern or any part of a circle by adjusting the stops at the base of the sprinkler. Refer to the instructions below to set sprinkler head to the desired operating pattern.

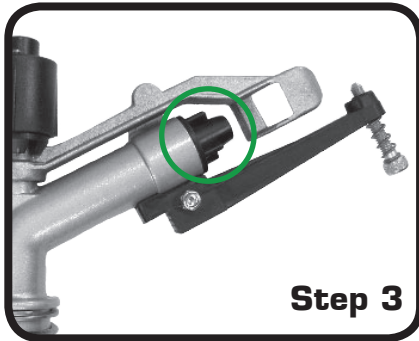


Step 1) For full circle operation, loosen sprinkler stop, set screws as shown, and slide stops all the way down the brass sprinkler base so they do not contact the reverse lever on the back of the sprinkler head. Re-tighten set screws to hold the stops in place. This will allow the sprinkler head to operate in a full circle mode.



Step 2) IMPORTANT: REVERSE VS. FORWARD MODE

If you set the sprinkler head for full circle operation, the reverse lever will either stay to the right or left for reverse or forward mode. Typically when using the sprinkler in full circle operation, you will want the sprinkler to be set in forward mode or a clockwise operating direction. For this to occur, you want the reverse lever at the back of the sprinkler to be over to the left as shown. If the lever is set to the right, the sprinkler will be in reverse mode. In reverse mode, the sprinkler will operate rapidly in a counterclockwise direction and your distance of throw will be less than it would be in forward mode.



Step 3) Nozzles Supplied: Your sprinkler head is supplied with a set of nozzles that are interchangeable to meet your water source's capability. It is shipped with the smallest nozzle installed. If your water system operates the small nozzle adequately then, you may move up to a larger nozzle size for increased performance. The nozzle sizes listed on your supplied performance charts have gallons per minute output that tally at various pressures and wetted patterns that correspond. This may be a trial and error exercise to determine which nozzle size gives you the best desired performance when matched to your water source's capability. You may feel more comfortable consulting your servicing well dealer for help with your system's capability if desired performance is not being met.

It may also be necessary to purchase a booster pump from our pump section of BigSprinkler.com if pressure boosting is needed.

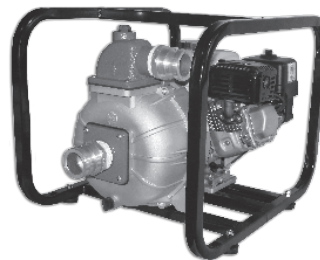
Accessories



Hose



Fittings



Supply Pumps



Booster Pumps

Sprinkler Cart Charts

2000S Sprinkler Cart Performance Chart



Nozzle Size	PSI	GPM	Jet Length/Feet (One Direction)	Wetted Circle (Diameter/Feet)
12 mm (0.47")	22	34.3	62	124
	29	40.2	72	144
	44	48.1	78	156
	56	55	88	176
14 mm (0.55")	29	51.5	75	150
	44	63.2	91	182
	56	73.2	101	202
	70	81.7	111	222
16 mm (0.63")	29	65.3	78	156
	44	80.1	98	196
	56	92.8	111	222
	70	103	118	236
18 mm (0.71")	29	91.7	78	156
	44	100	105	210
	56	115	115	230
	70	128	125	250
20 mm (0.78")	29	99.4	82	164
	44	121	100	200
	56	140	122	244
	70	157	135	270

Notice: These specifications are to be used as a guide only and have been calculated at zero wind conditions. Performances can vary due to pressure, terrain, wind, and field conditions.

3000R Sprinkler Cart Performance Chart



Nozzle Size	PSI	GPM	Jet Length/Feet (One Direction)	Wetted Circle (Diameter/Feet)
24 mm (0.938")	29	134	108	216
	44	164	127	254
	56	190	145	290
	70	213	157	314
26 mm (1.0")	29	158	121	242
	44	193	134	268
	56	22	150	300
	70	250	168	336
28 mm (1.1")	44	224	145	290
	56	259	157	314
	70	289	170	340
	85	317	181	362
30 mm (1.188")	44	257	151	302
	56	297	164	328
	70	332	177	354
	85	364	187	374
32 mm (1.25")	56	338	170	340
	70	378	184	368
	85	414	192	384
	100	447	202	404
34 mm (1.344")	56	382	173	346
	70	427	187	374
	85	468	199	398
	100	505	210	420

Notice: These specifications are to be used as a guide only and have been calculated at zero wind conditions. Performances can vary due to pressure, terrain, wind, and field conditions.

Warranty

LIMITED WARRANTY AND REMEDY:

WARRANTY

BigSprinkler.com warrants to the original purchaser only of the products described in the face hereof as of the date of the original invoice, that the product is merchantable and free from defects in material and workmanship.

Warranty shall be provided by the original manufacturer of products sold on BigSprinkler.com for the length of time specified by the manufacturer of the given product.

Sprinkler stands - 1 year

Sprinkler heads - 1 year

REMEDY

If BigSprinkler.com determines that the above warranty was breached with respect to any part or component provided by the manufacturer of the product (and if all conditions set forth below have been satisfied) then, BigSprinkler.com will (at BigSprinkler.com's option) provide purchaser a refund of the purchase price less the freight costs to or from the customer, or provide a replacement product of the same kind.

All remedies provided herein are for goods only, no labor or freight allowance for return goods is implied.

This warranty extends only to the original purchaser of products purchased from BigSprinkler.com.

CONDITIONS TO ENFORCEABILITY AND CLAIMS:

1. Product has been maintained and operated within the guidelines outlined in the manufacturer's product guide and maintenance manual.
2. Product warranty shall be considered void if any component or function of the equipment has been altered in any form other than what has been provided or intended by the original product manufacturer.
3. Any return must be submitted on form provided by BigSprinkler.com in writing immediately and in no event longer than 20 days from occurrence. You can reach our sales department through the "contact us" form on our website should such an event occur.
4. Purchaser must return all goods within 30 days of BigSprinkler.com's authorization date, that have been determined by BigSprinkler.com to be defective to the Purchaser with Purchaser being responsible for freight.

LIMITATIONS:

BigSprinkler.com or its affiliates shall not be liable for any incidental or consequential damages (including but not limited to, damages for injury to the person, property or lost turf, crops or profits) by reason of any defect in the products sold or its manufacture, design, or function.