

*Lay-Flat Hose*  
**Quick Reel**

**Model 4200HR**

**Instruction Manual for Operation & Maintenance**

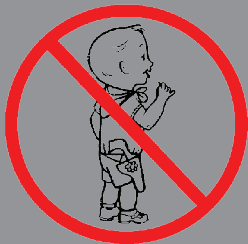


# Introduction

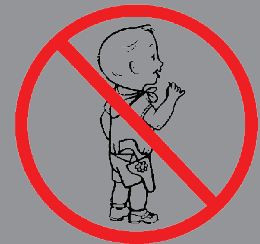
Thank you for purchasing a **Lay-Flat Hose Quick Reel Model 4200HR**. Please read this manual carefully before operation in order to become familiar with all components and their function. Safety is the main priority and failure to follow these instructions may cause serious injury. Neither **Lay-Flat Hose Quick Reel Model 4200HR** nor BigSprinkler.com are to be responsible for machine failure or personal injury if these procedures and operation instructions are not followed.



## Caution



NO CHILDREN

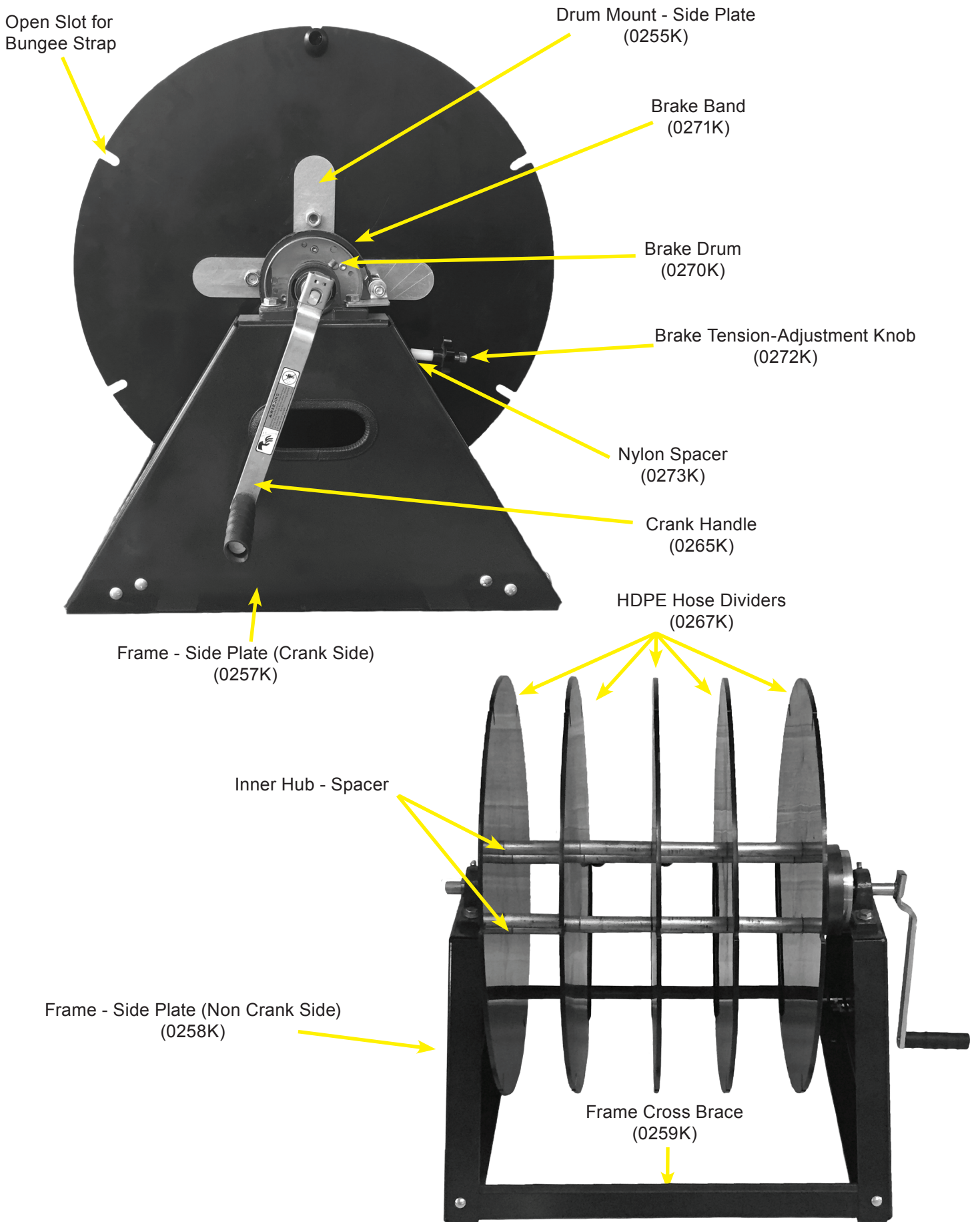


NO CHILDREN

*Personal injury and/or equipment damage may result if proper safety precautions are not observed.*

- **ALWAYS REMOVE THE HANDLE WHEN UNWINDING HOSE TO PREVENT BODILY HARM!**
- Be aware of personnel around the reel when operating the reel.
- Do not wear loose fitting clothing while operating the reel.
- Ensure that the reel has been properly secured before using the reel to wind or unwind hose.
- Allow hose to be able to drain freely of stored water or fluid before storing hose on reel.
- Treat and respect the hose reel as any other piece of machinery, observing all common safety practices

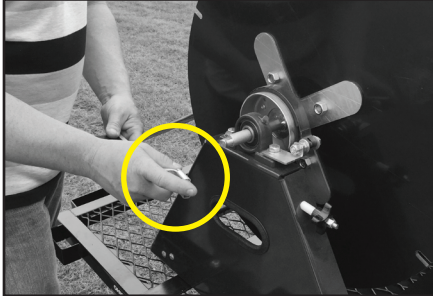
# Machine Controls & Components





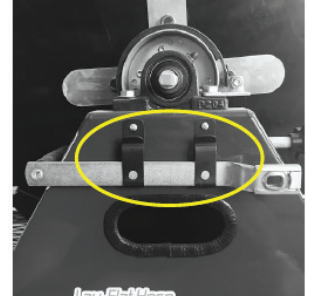
# Deployment of Hose

To prevent injury, the operator should first check that the hand crank has been “REMOVED” from the reel before deploying hose. Care should be taken to ensure that the hose does not kink or get entangled while being taken off the reel.

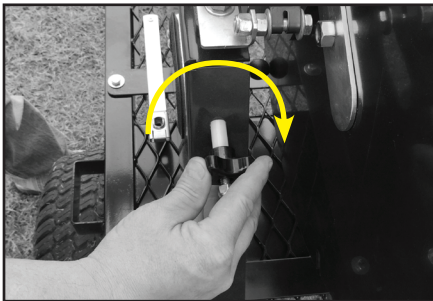


## 1) ALWAYS REMOVE CRANK HANDLE

- Depress the end of the crank in order for the handle to be slip off of the crank shaft.
- Secure the crank handle by inserting in the 2 mounted clips.



## 2) Unhook the bungee strap from slot on the divider and remove from the hose end.



## 3) Apply brake tension on the reel to prevent the hose from unwinding faster than the rate of deployment.

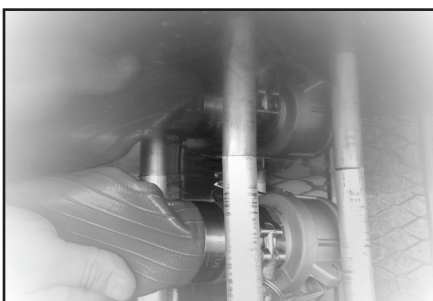
- To increase brake tension, turn the brake adjustment knob to the right until the preferred tension is reached.

*(Note: Brake tension will help to prevent the reel from continuing to freely turn with momentum during deployment.)*

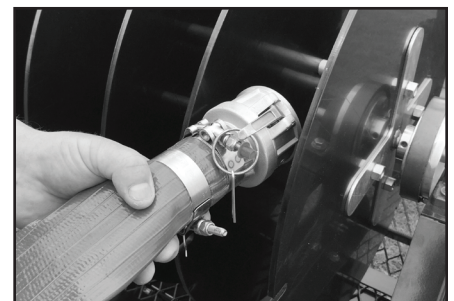


## 4) Pull the hose in a straight path away from the hose reel until the entire hose has been deployed.

*(NOTE: Deploying the hose at an angle away from the machine may damage to the hose and reel.)*

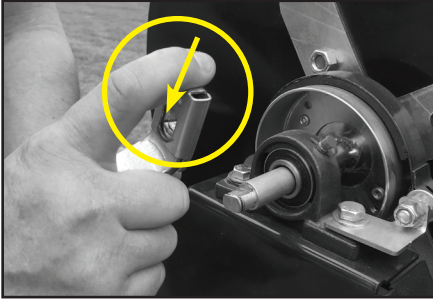


## 5) Once the hose is fully deployed, dislodge the end connector of the hose from between the center-hub rods of the hose reel and fully remove the hose from the reel.



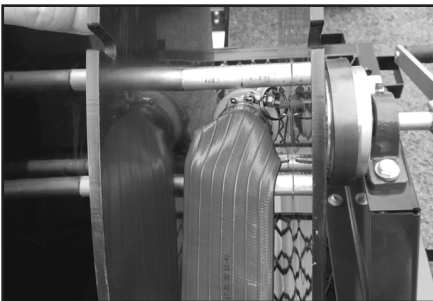
# Retrieval of Hose

The water and pressure in the hose should be relieved and allowed to completely drain prior to rewinding. Care must be taken so that the hose does not kink or twist during winding.



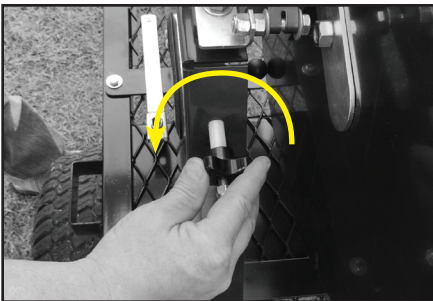
1) Re-Attach crank handle to drum shaft as shown.

- Depress and hold the top of the crank handle to allow the handle to fit securely back on to the crank shaft, then release to lock crank handle in place.



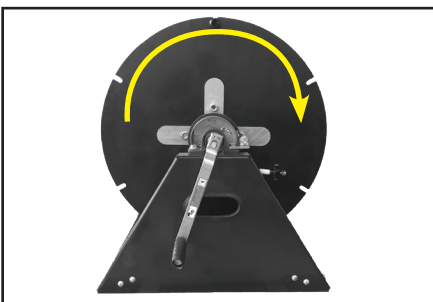
2) Select an open slot on the reel and feed the hose end connection through the opening between the center-hub spacers so the hose can be secured to begin retrieval.

*(Note: Hose should be disconnected at the end allowing water to freely drain from the hose before winding onto the reel.)*



3) Decrease the brake tension so the reel can freely turn. This will allow for easier hose retrieval.

- To decrease brake tension, turn the brake adjustment knob to the right until the preferred tension is reached.



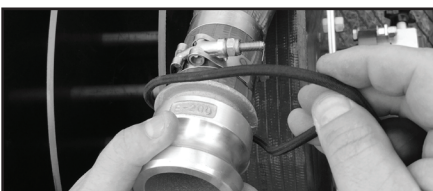
4) Turn the crank handle clockwise to begin retrieval. The hose should begin to coil on top of itself between the hose dividers.

*(Note: If the hose becomes snagged during rewind, clear or free the hose by hand, do not use the crank to break hose free.)*



5) Upon reaching the end of your hose, use the bungee cords to secure the hose in place.

- Use the bungee cord to loop around the end connection of the hose and then stretch bungee to slip into an "open slot" on the divider that will keep the hose secure between the hose dividers.



*(Note: Once all your hose is retrieved, increase the brake tension on the reel enough to prevent the reel from freely turning.)*

# Troubleshooting

If you experience any problems with your Quick Reel, please contact a representative at Big Sprinkler for assistance. (855) 805-7901.

## Maintenance Schedule

Bearings: Grease 1 time per year

## Options



### ***Quick Reel and ATV Trailer*** **Model 4200HR-TM**

The Flatbed ATV cart has a sturdy 34 in. x 48 in. expanded metal deck with 16 gauge steel tube frame supporting up to a 1000 lb. The trailer can be pulled by an ATV or UTV.

- Expanded metal flatbed; 1000 lb. load capacity
- Deck tilts to dump load
- 18 in. ATV wheels with roller bearings
- 1 in. steel axle
- Black powder coat finish resists rust
- Hitch pin included





# BigSprinkler.com

## Distributor, Dealer/Seller, Purchaser Agreement

### Limited Warranty and Remedy

BigSprinkler.com is committed to providing our customers with quality irrigation products. If at any time a product falls short of your expectations due to defective workmanship or materials, the following will apply.

### Warranty

BigSprinkler.com warrants to the original purchaser only of the products described in the face hereof as of the date of the original invoice, that the product is merchantable and free from defects in material and workmanship. Warranty shall be provided by the original manufacturer of products sold on BigSprinkler.com for the length of time specified by the manufacturer of the given product.

### Remedy

If BigSprinkler.com determines that the above warranty was breached with respect to any part or component provided by the manufacturer of the product (and if all conditions set forth below have been satisfied) then,

***a) BigSprinkler.com will (at BigSprinkler.com's option) provide purchaser a refund of the purchase price less the freight costs to or from the customer, or provide a replacement product of the same kind.***

***b) All remedies provided herein are for goods only, no labor or freight allowance for return goods is implied. This warranty extends only to the original purchaser of products purchased from BigSprinkler.com.***

### Conditions to Enforceability and Claims:

- 1) Product has been maintained and operated within the guidelines outlined in the manufacturer's product guide and maintenance manual.
- 2) Product warranty shall be considered void if any component or function of the equipment has been altered in any form other than what has been provided or intended by the original product manufacturer.
- 3) Any return must be submitted on form provided by BigSprinkler.com in writing immediately and in no event longer than 20 days from occurrence. You can reach our sales department through the "contact us" form on our website should such an event occur.
- 4) Purchaser must return all goods within 30 days of BigSprinkler.com's authorization date, that have been determined by BigSprinkler.com to be defective to the Purchaser with Purchaser being responsible for freight.

### Limitations:

Neither BigSprinkler.com nor its affiliates shall be liable for any incidental or consequential damages (including but not limited to, damages for injury to the person, property or lost turf, crops or profits) by reason of any defect in the equipment or its manufacture, design, or function.